

## SAFETY AND NAVIGATION INSTRUCTIONS

### PRODUCTION OF STERCOSUL® ADDRESS:

Stercorat SLOVAKIA, s.r.o., Vlčie hrdlo 1,  
821 07 Bratislava, Slovakia, EU  
Loading place: SLOVNAFT, a.s., Vlčie hrdlo 1,  
824 14 Bratislava, Slovakia, EU

### INSTRUCTIONS FOR TRUCK DRIVER:

Entry to the refinery area for loading Stercosul®:

**Entrance for trucks is permitted with an entrance card only.  
You can apply for two types of entry cards:**

- a) Single (one-time) entry card (if you enter only once)
- b) Permanent entry card (if you enter the area regularly)

#### HOW TO GET „SINGLE ENTRY CARD“:

▶ Park the vehicle here: **GPS: 48.129044, 17.180152  
(48°07'44.6"N 17°10'48.6"E)**

▶ After parking your vehicle, **go to the green coloured building** (this building is located next to the parking place) and ask for „Single entry card“. Take with you: **your identity document** and **„Order Confirmation“** to the liquid fertilizer Stercosul® (ATS).

You will receive the order confirmation at least one day before loading. You don't have to have this Order Confirmation in printing form (you just need to have the Picture of it in your phone).

▶ After receiving „Single entry card“ put on „Personal protective equipment“ (PPE) as it is stated below in this document and enter with your vehicle in SLOVNAFT a.s. area.

The opening hours of the office issuing the entry cards are:  
Monday to Friday from **7:30 a.m. to 3:00 p.m.**

#### HOW TO GET „PERMANENT ENTRY CARD“:

If your Shipper asked for Permanent entry card, you received Reservation confirmation – date and time of the training.

▶ Park your vehicle here:  
**GPS: 48.129044, 17.180152 (48°07'44.6"N 17°10'48.6"E)**

▶ **Walk to the main entrance to the Slovnaft a.s. office building:**

**GPS: 48.128299, 17.176539 (48°07'41.9"N 17°10'35.5"E)**

▶ Step into the main entrance and turn right – please find the „Information bar“.

▶ Press the button „Training“ on the „Information bar“, take a ticket with a serial number. Watch the screen in the waiting room in front of the offices where „Permanent Entry Cards“ are issued. When your number appears, please enter the Office.

▶ Before you receive „Permanent Entry Card“, you will go through training (instructional video), then take a short test. After successful completion of the test, you will receive „Permanent Entry Card“ and „HSE Notebook“.

▶ After receiving the „Permanent Entry Card“, wear „Personal Protective Equipment“ („PPE“) as it is stated below in this document and enter with your vehicle in SLOVNAFT a.s. area.

Trainings are every working day at 8:00 a.m., 10:00 a.m. and at 2 p.m. Please go to the place 20 minutes before beginning of training. You need 1.20 € cash – for getting „HSE“ notebook Instruction, test, card issuance and HSE notebook take approx. one hour. The training is valid 1 year from the date of issue.

#### INSTRUCTIONS FOR ENTRY BY TRUCK TO SLOVNAFT a.s. FOR LOADING STERCOSUL® LIQUID FERTILIZER:

The operating time for loading Stercosul® is from Monday to Friday from 8:00 a.m. to 3:30 p.m.

▶ After receiving a Single or Permanent Entry Card, you can enter the area through the truck entrance

**GPS: 48.128311, 17.180584 (48°07'41.9"N 17°10'50.1"E)**

▶ At the entrance, your vehicle must be weighed. The driver is responsible for weighing the vehicle.

▶ Follow the traffic signs - **green signs „ATS / SIRA / Sulfur“** inside the area, which will lead you to the ATS loading location. When arriving at „ATS“, please report to the operator.

Present:

1. „Order Confirmation“. You will receive the order

Stercorat SLOVAKIA, s.r.o., Slovakia, EU

✉ logistics@stercorat.eu, sales@stercorat.eu

🌐 [www.stercorat.eu](http://www.stercorat.eu)

confirmation at least one day before loading. You do not need to have this order in printed form (it is OK if you have the Picture of it in your phone).

**2. Tank cleaning certificate.** This document is not required if ATS, DAM or Ammonia water have been shipped in the tank prior to loading Stercosul®. On the premises of Slovnaft a.s., there is a Cleaning station (watch the traffic sign in orange color CLEANER). The opening hours are Monday - Friday from 6:00 a.m. to 2:30 p.m.. the Cleaning station runs Slovnaft a.s. for more information, please contact Slovnafte a.s. or directly at the Cleaning station.

- ▶ Follow the operator's safety instructions when filling Stercosul®. After parking the vehicle, turn off the engine. Brake the vehicle and secure the rear wheels of the semitrailer by wedges.
- ▶ After filling, close the tank.
- ▶ Follow the traffic signs that will lead you to the exit of the Slovnaft a.s. Follow the signs „EXIT“.

▶ At the exit, your vehicle must be weighed. The driver is responsible for weighing the vehicle.

▶ After weighing, park the vehicle in the parking lot. Parking is marked „Coll Parking“. Walk to the green building from the inside of the complex. In this building you will get shipping documents and seals. Walk to the window in the waiting room and tell the operator that you have loaded goods from Stercorat SLOVAKIA, s.r.o. (Stercosul® (ATS) liquid fertilizer). The operator will inform you when you will be getting shipping documents and seals. **Then seal your tank.** The driver is responsible for correct sealing of the tank.

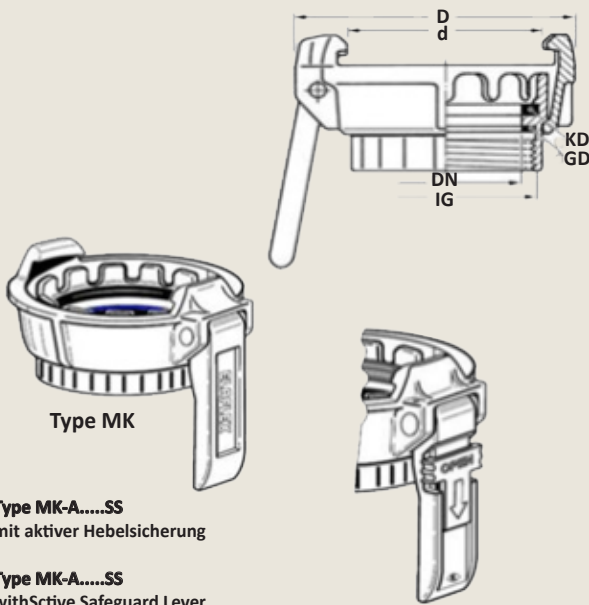
**ATTENTION:**

**For security reasons, Slovnaft a.s. the following principles:**  
<https://slovnaft.sk/sk/o-nas/centrum-dodavatelov/sd-hse-poziadavky-pre-kontraktorov/>

**For more information, click [www.stercorat.eu](http://www.stercorat.eu)**

**CONNECTIONS AT THE PLACE OF LOADING:**

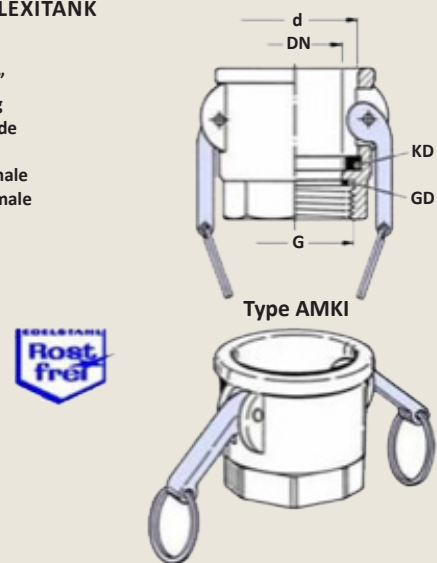
**1. MK-A 80 SS + VB 80 SS +  
K 300 SS + DN 3" SS1 - TANK**



**2. AMKI 75 SS + DN 3" SS +  
AVB 75 SS - FLEXITANK**

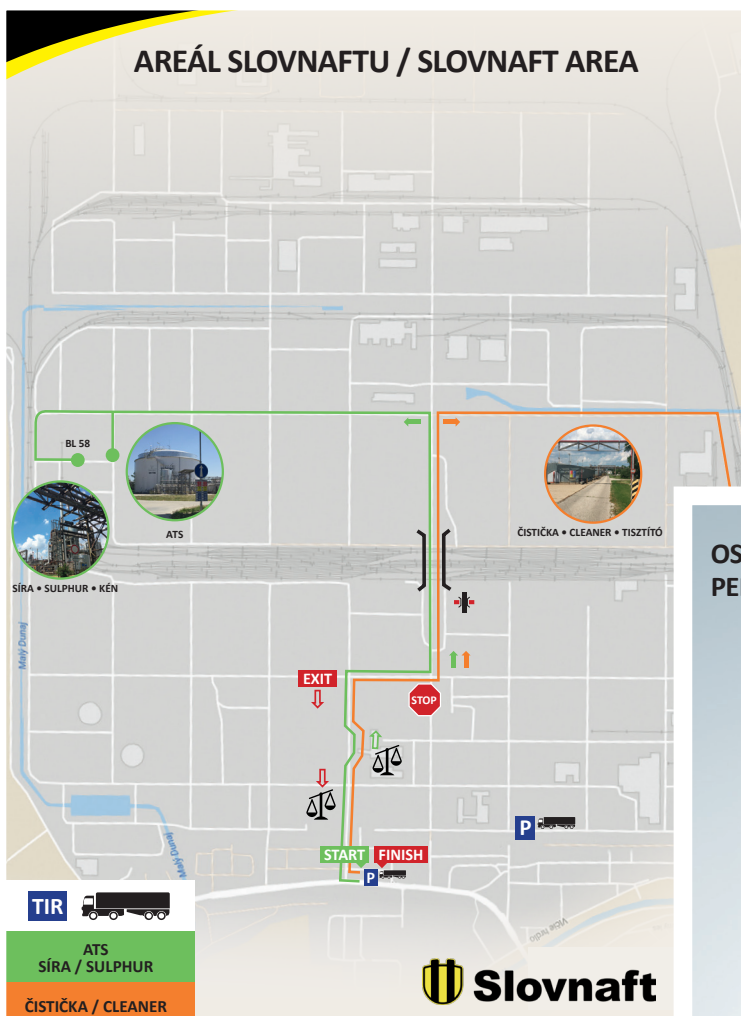
“Amerikanische”  
Mutterkupplung  
mit Innengewinde

“Americam” female  
coupler with female  
parallel thread



filling flexi-tanks „CAMLOCK lock“

Slovnaft a.s.  
AREA MAP, COMPULSORY PERSONAL PROTECTIVE EQUIPMENT (PPE)



OSOBNÉ OCHRANNÉ PRACOVNÉ PROSTRIEDKY (OOPP)  
PERSONAL PROTECTIVE EQUIPMENT (PPE)



● ATS

RUKAVICE /  
GLOVES:



EN 374



JKL



OBUV / SHOES:

